

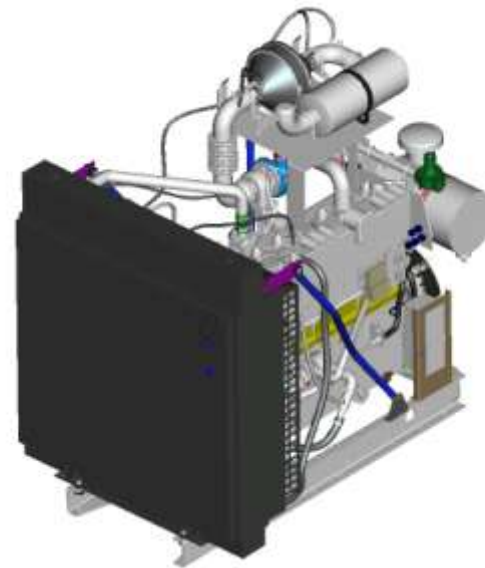
GTA855E Natural Gas Emmissionized Power Unit

Cummins Power Products



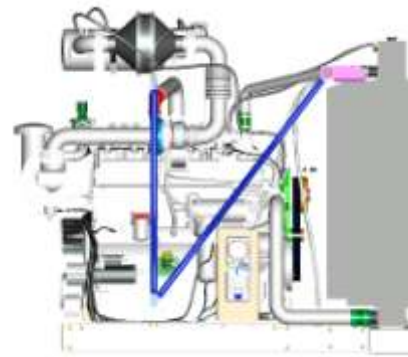
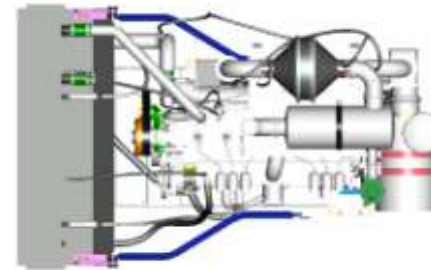
GTA855E Natural Gas Power Unit

- One year unlimited, 2 year/2000 hour Cummins industrial Warranty
- Meets 2g/hp-hr NOx Emmissions
- Meets 4g/hp-hr CO Emmissions
- Meets 1g/hp-hr VOC (Volatile Organic Compound) Emmissions
- Electric Air to Fuel Ratio Controller
- Fully Engineered Solutions for Maximum Performance



Available Features

- 25g/cfm Dir Handling Air Intake System
- 24V Electrical System
- 3-Way Exhaust Catalyst with Muffler
- Full Baserail Frame (also available in Extended option for PTO support plates)
- Fully Vented and Positive Deaerating Cooling System

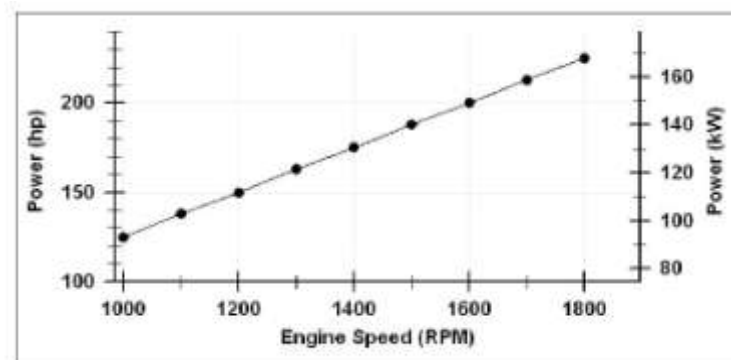
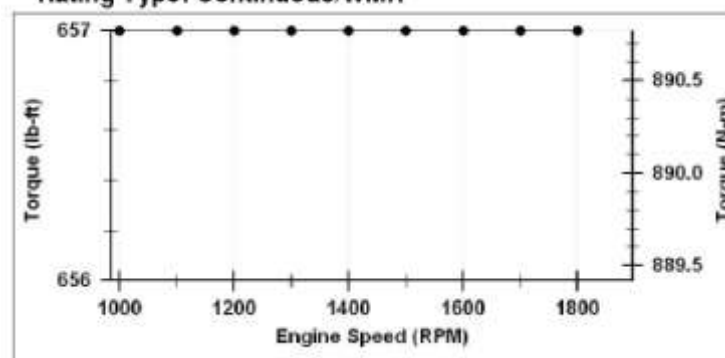


Specifications

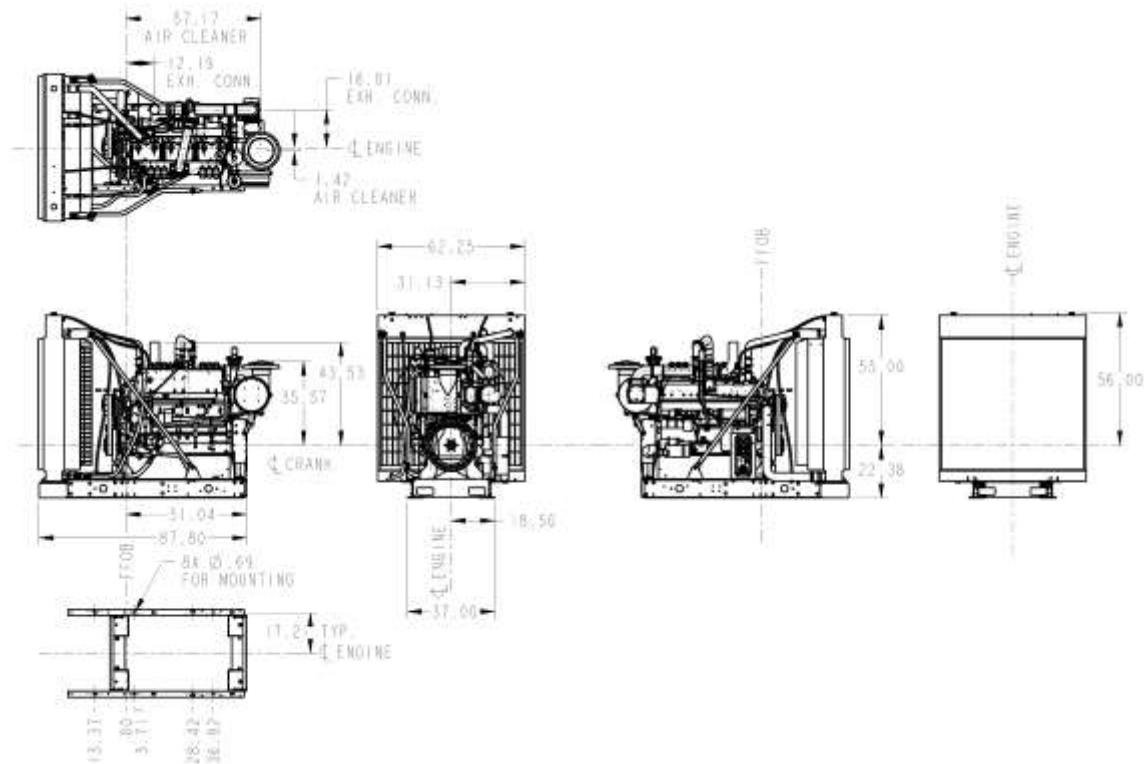
Specifications

Advertised Horsepower	225-256 BHP	168-191 kW		
Peak Torque	657 LB-FT	891 NM		
Number of Cylinders	6			
Displacement	855 cu in.	14.0 Liters		
Bore and Stroke	5.5 in. x 6.0 in.	140 mm x 152 mm		
Aspiration	Turbocharged and Aftercooled			
Oil System Capacity	52 U.S. Quarts	49.2 Liters		
Power Unit Weight (Dry)	Open	NA lbs NA kg		
	Enclosed	NA lbs NA kg		
Total Cooling System Capacity	160 Quarts	151.4 Liters		
Power Unit Size: Open	Length	99.61 in.	2530.1 mm	
	Width	60.25 in.	1530.4 mm	
	Height	84.75 in.	2152.7 mm	
	Enclosed	Length	NA in.	NA mm
		Width	NA in.	NA mm
		Height	NA in.	NA mm

Rating Type: Continuous/WMR



Power Unit Dimensions



Cummins Power Products

21810 Clessie Court
 New Hudson, MI 48165
 Phone: 248-573-1600

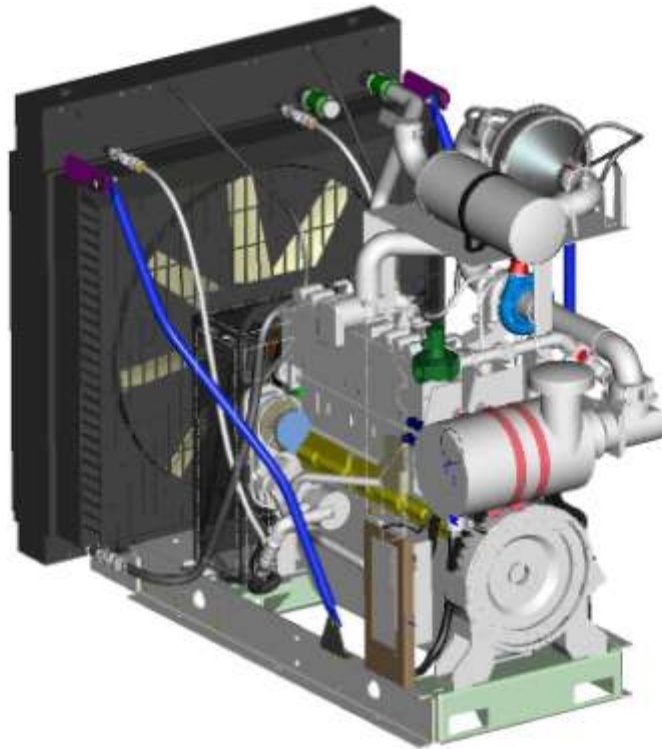
5 Fax: 248-573-4014

Internet: cpp.cummins.com

Installation drawing and models available upon request.

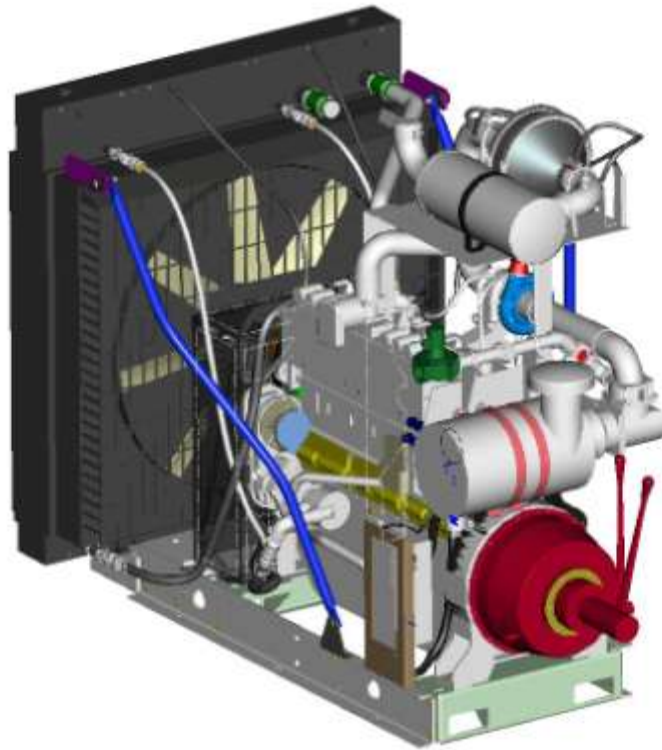
<http://cpp.cummins.com/>

GTA855E – Standard Baserails



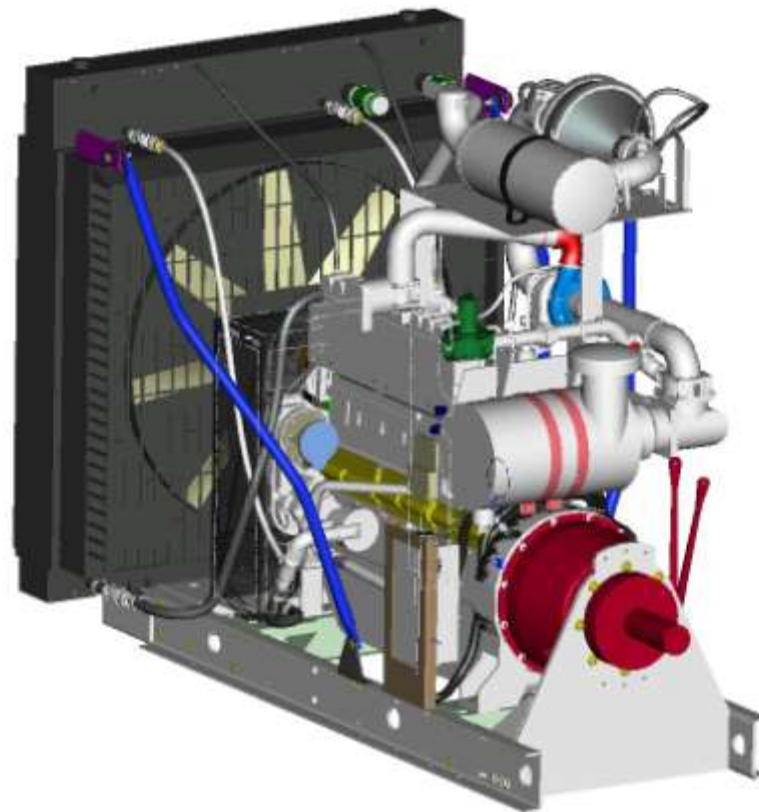
Custom units available for development. Please visit:
<http://cpp.cummins.com/contact/ECR/quoteRequest.asp>

GTA855E – Standard Baserails & Sample PTO



Custom units available for development. Please visit:
<http://cpp.cummins.com/contact/ECR/quoteRequest.asp>

GTA855E – Extended Baserails & Clutch Support Plate



Custom units available for development. Please visit:
<http://cpp.cummins.com/contact/ECR/quoteRequest.asp>